



DESCRIPTION



Capacity: 4 x 60x40 - 1/1 GN



Trays insertion: Cross wise



Dimensions: 725 x 713 x H 605 mm



Control panel: Analogic



Indicative quantity of meals: --



Cooking chamber heating: Electric

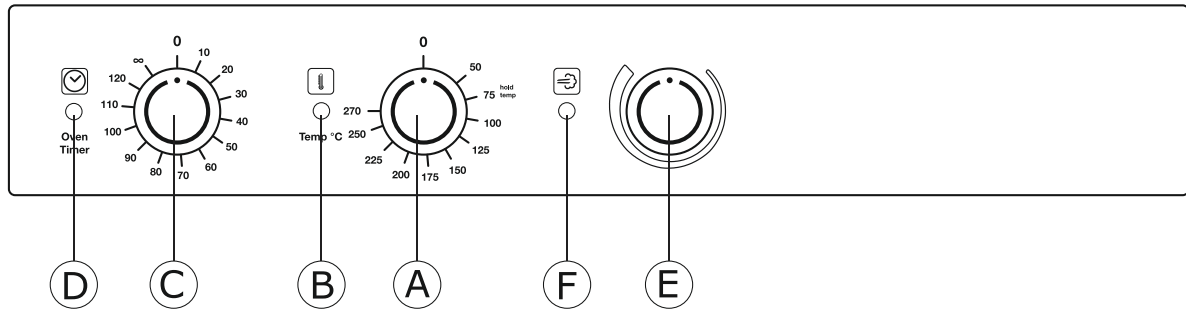


Steam generation: direct system

COOKING MODES AND FUNCTIONING

| | | |
|--|------------------------------|--|
| | Convection mode | Temperature range between 50 °C and 270 °C |
| | Convection with steam | Adjustable steam quantity |
| | Autoreverse | Automatic reversal of fan rotation |

CONTROL PANEL COMPONENT DESCRIPTION



| | | | |
|----------|--|--|--|
| A | Cooking chamber thermostat | | |
| B | Heating cooking chamber ON pilot light | | |
| C | Timer | | |
| D | Timer ON pilot light | | |
| E | Steam regulation | | |
| F | Steam ON pilot light | | |

MANUFACTURING FEATURES

- Heating system located on the back side of the cooking chamber;
- Waterproof cooking chamber in stainless steel AISI 304;
- Cooking chamber with external welding;
- External covering panels made of satin stainless steel AISI 430;
- Base chassis made of stainless steel AISI 430;
- Heating elements made of stainless steel Incoloy 800;
- Thermal insulation of the cooking chamber in ceramics fibre;
- Cooking chamber fans made of stainless steel;

OPTIONAL ACCESSORIES

| Code | Description |
|---------|------------------------|
| AFO 682 | Stand |
| AFO 684 | Stand with tray-slides |
| | |
| | |

| | |
|--|--|
| | |
| | |
| | |
| | |
| | |

DIMENSIONS

| | OVEN | PACKAGE |
|--------------------------|--------|-----------------------------|
| Width | 725 mm | 760 mm |
| Depth (with door handle) | 713 mm | 840 mm |
| Height | 605 mm | 795 mm |
| Weight/Volume | | 51 kg / 0.51 m ³ |

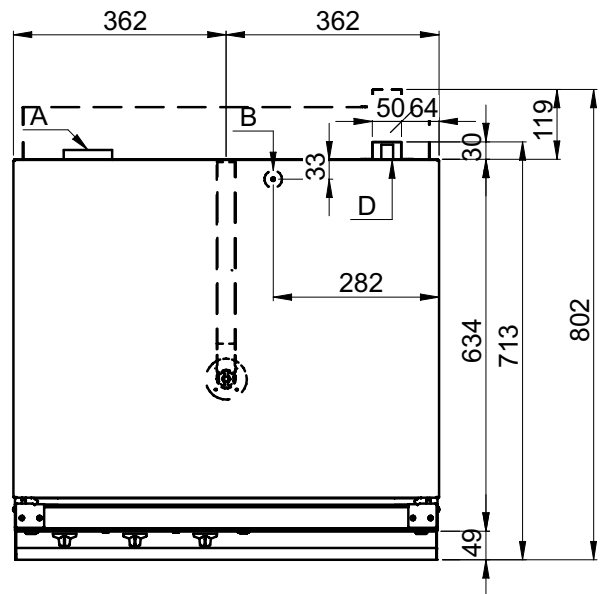
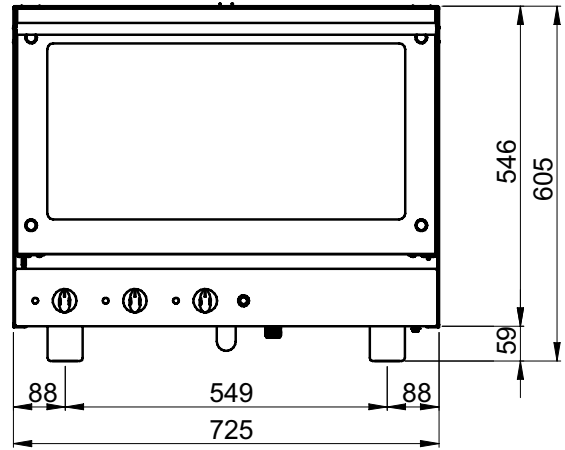
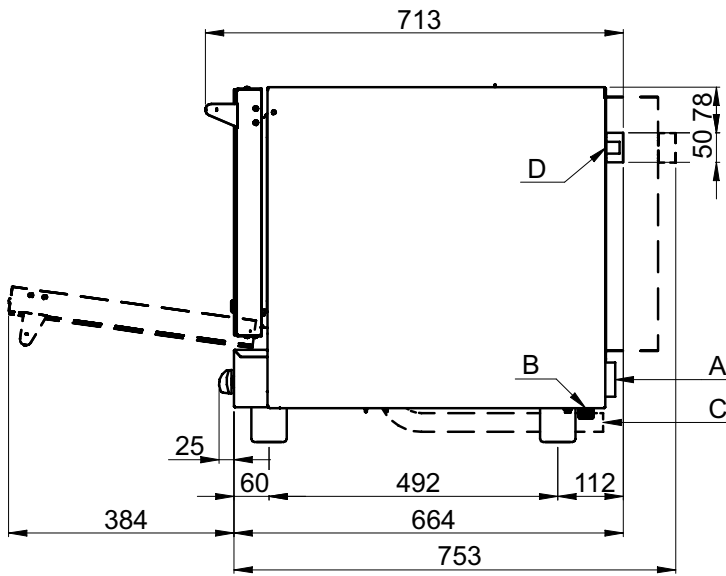
WATER SUPPLY

| | |
|------------------------------------|--------------------------|
| Water supply coupling | Ø ¾" gas |
| Water pressure | 1.5 - 2.5 bar |
| Water hardness | 4 - 12 °f = 40 - 120 ppm |
| Water conductivity | 50 ÷ 2000 µS/cm |
| Chlorine concentr. Cl ₂ | < 0.2 mg/litre |
| Chloride concentration | <150 mg/litre |
| Water drain coupling | -- |

POWER SUPPLY

| | |
|---------------------|-------------------------|
| Model | AFO EM4SO |
| Power loading | 5.8 kW |
| Chamber power | 5.5 kW |
| Grill power | -- |
| Power of the motors | n° 1 x 240 W |
| Max. power loading | 5.8 kW |
| Voltage | 400 V 3N ~ 50/60 Hz |
| Absorbed current | 15.4 A |
| Feed cable section | 5 x 2.5 mm ² |

| | |
|---------------------|------------------|
| Capacity | 4 60x40 - 1/1 GN |
| Pitch between trays | 70 mm |



- A Electrical cables connection
- B Water inlet Ø 3/4" gas
- C Cooking chamber drain
- D Cooking chamber release valve